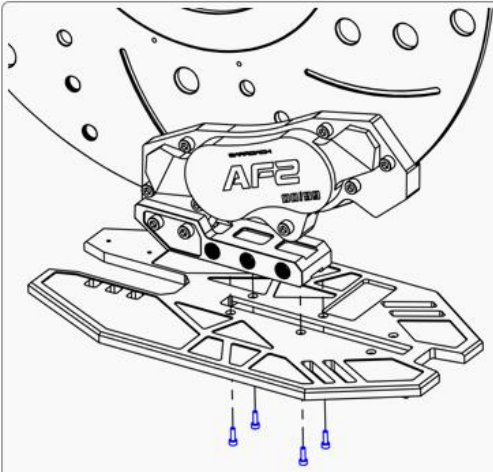
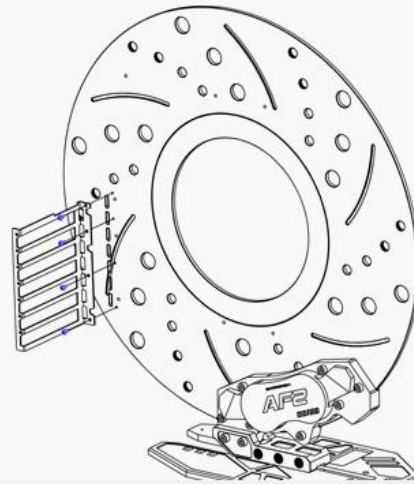


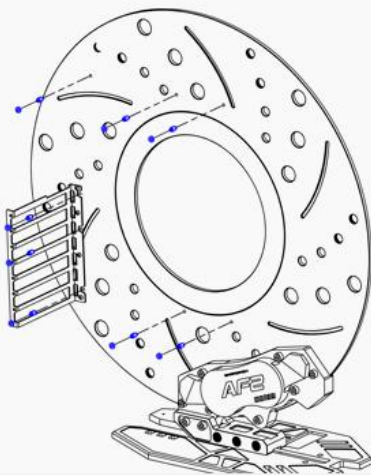
Installation example



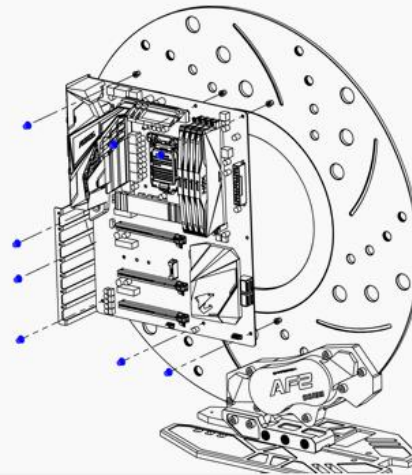
① Fix the case base



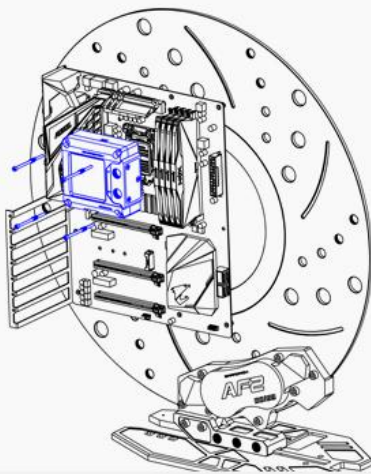
② Install the graphics card bracket



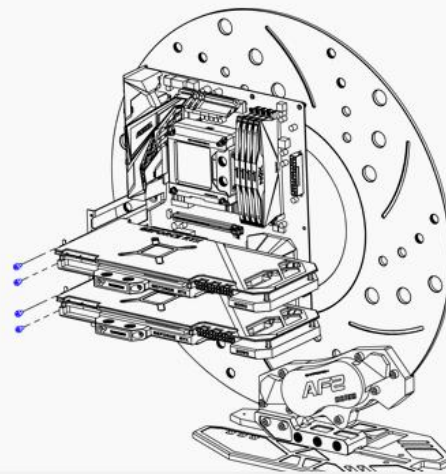
③ Install the fixed copper column of motherboard



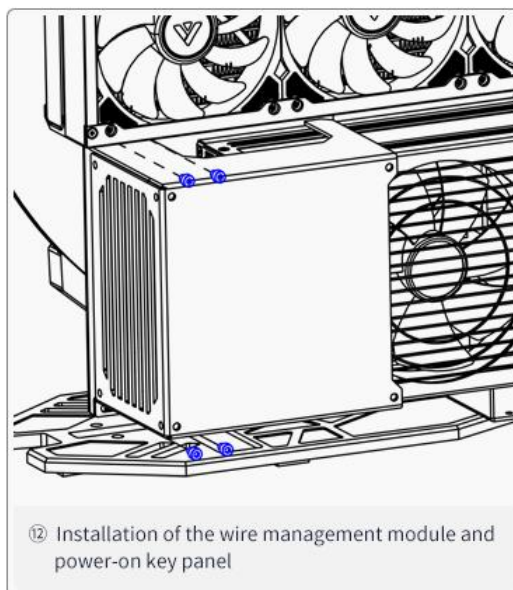
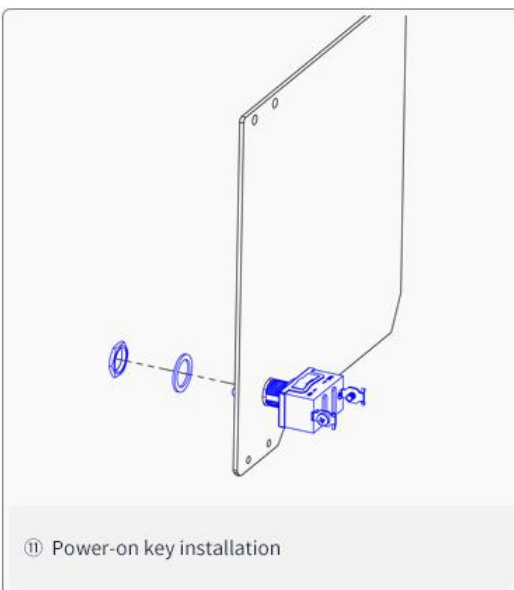
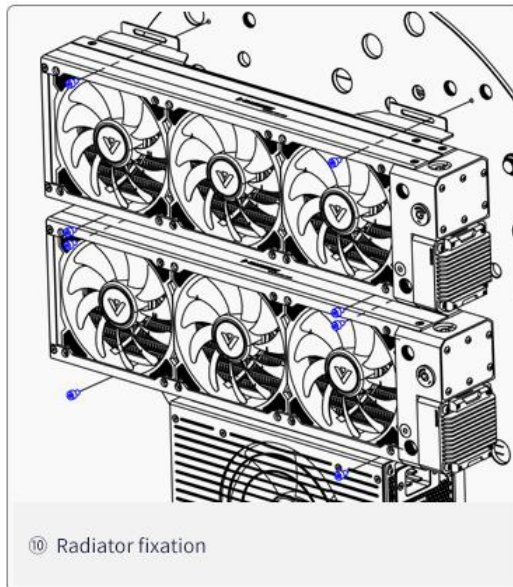
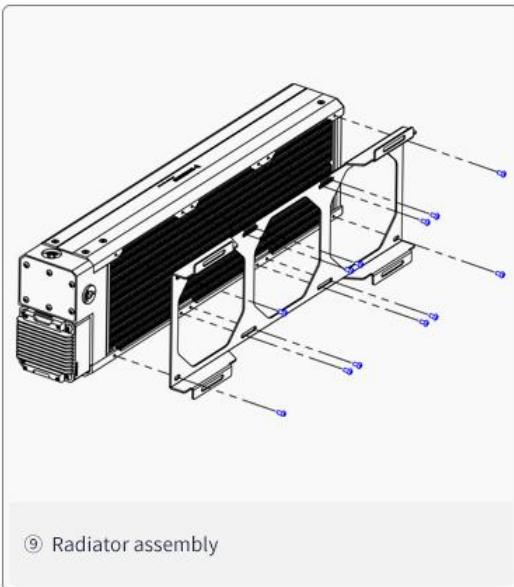
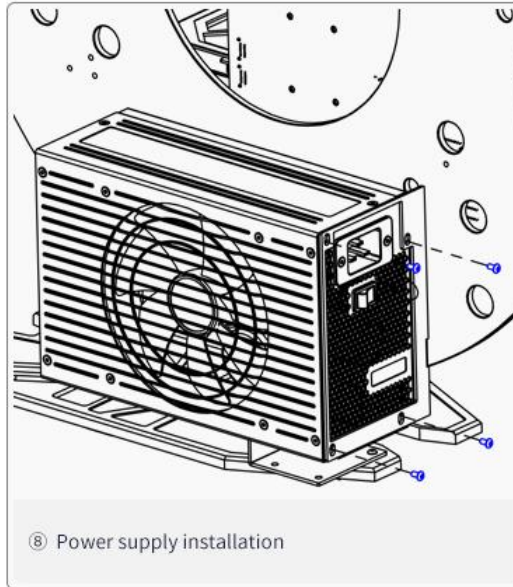
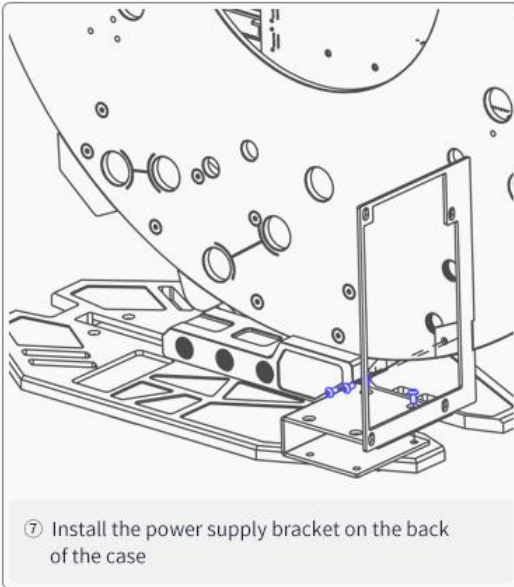
④ Install the motherboard

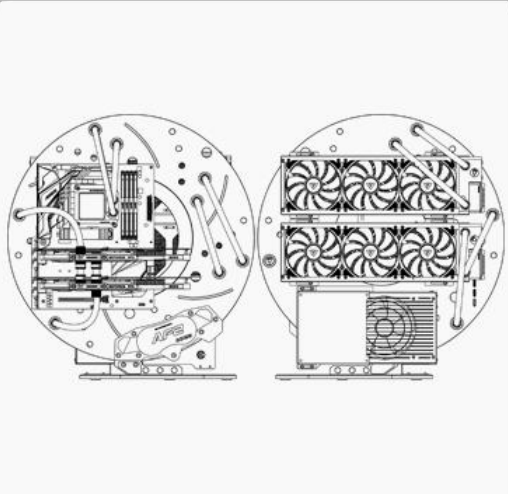


⑤ Install the CPU water clock

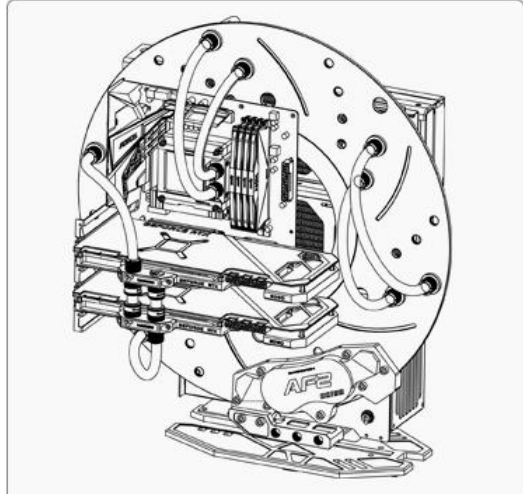


⑥ Install the graphics card





⑬ Build the pipe line as shown in the figure



⑭ The installation is complete